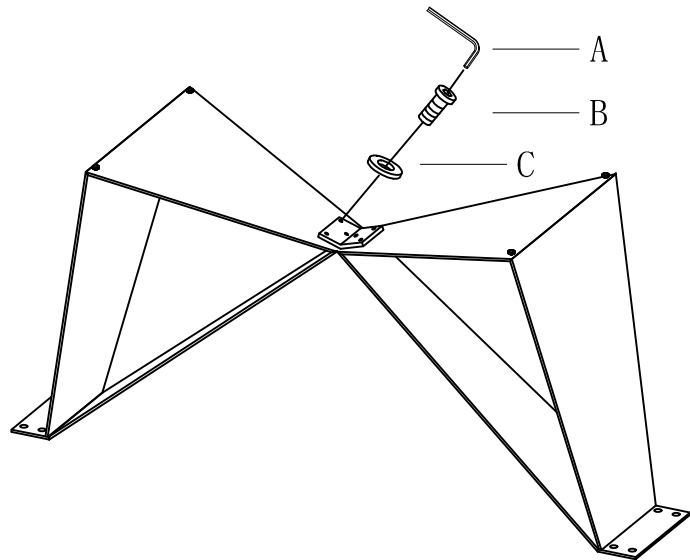


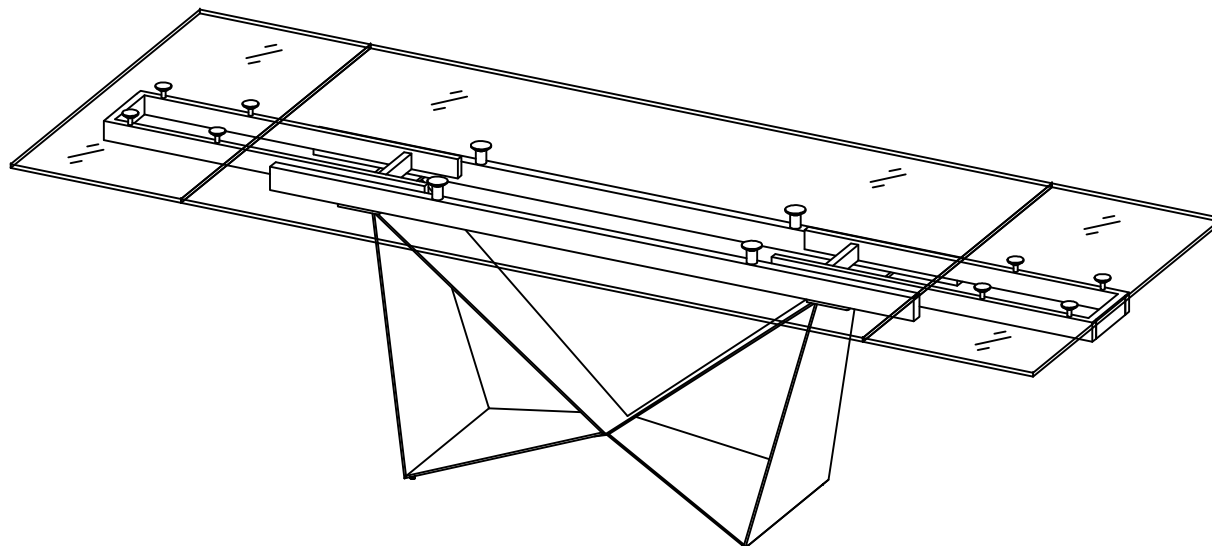
Assembly Instruction

MODEL:VIDA EXT 1606-EXDT

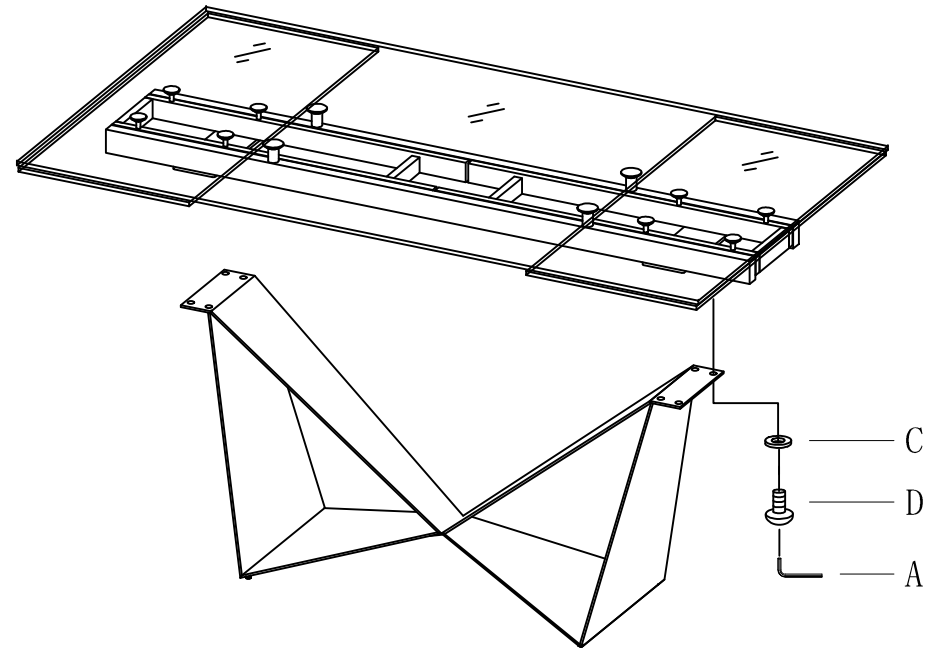
STEP 1







FINISHED



STEP 2



D	M8x12		8
C	Ø8		14
B	M8x16		6
A	5mm		1
NO.	SIZE	DIAGRAM	QTY